

Recommended Thicknesses for Concrete

The key point to remember is that the concrete must be laid on a firm base, concrete is only as good as the base that supports it. The quoted thicknesses below are based on there being an adequate sub-base. Paths do normally require a base if it is to be laid on firm ground, if the ground is soft or clay or on a new site it is recommended that the thickness should be increased by 40 - 50%. Always consider any possible future change of use, for example a shed may be extended or used for heavier things than originally intended and therefore it may be useful to increase the concrete thickness from the start.

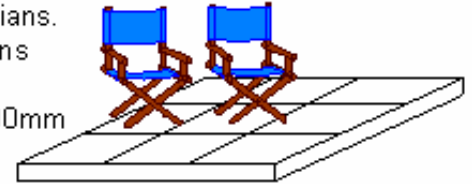
Paths

Foot traffic only.
Concrete: 75mm / 3 ins
Base: Not required



Paved Areas / Patios

Large area for pedestrians.
Concrete: 100mm / 4ins
Base: Compacted
hardcore 100mm



Sheds / Greenhouses



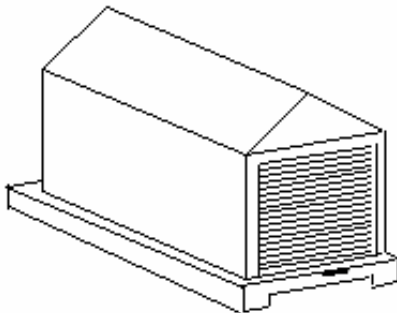
Light Framed Structure.
Concrete: 75 - 100mm / 3 - 4ins
Base: Compacted hardcore
75 - 100mm

Driveways



Used for family car.
Concrete: 100mm / 4ins
Base: Compacted hardcore 100mm

Garages



Used for family car.
Concrete: 100mm / 4ins
Wall support:: edges of base min 200mm / 8ins
Base: Compacted hardcore min 100mm

Slope

It is always recommended to provide a very slight slope to all pads. It is not important for paths but where rain water is likely to collect in puddles and perhaps freeze on driveways it is necessary to enable the water to run away. If a pad is against a house it must fall away from the house and be at least 150mm below the damp proof course.

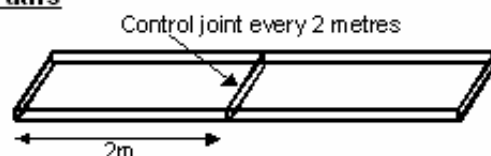
Use	Fall
Sheds / Greenhouses	13mm per metre
Driveways	25mm per metre
Patio / Paved Areas	16mm per metre

All falls must be away from buildings

Expansion

Changes in temperature will cause concrete to expand and contract. When this happens a path or pad will crack, normally at the weakest point. To avoid this a control joint needs to be put in place. Position 13mm thick pieces of treated softwood between the sides of the formwork and at 90 degrees to the edges. Control joints should always be placed between a wall / drains and the concrete.

Paths



Pads and Driveways

Control joints are placed at a maximum of 4 metres. If the pad is wider than 4 metres divide the area into equally sized bays.

